

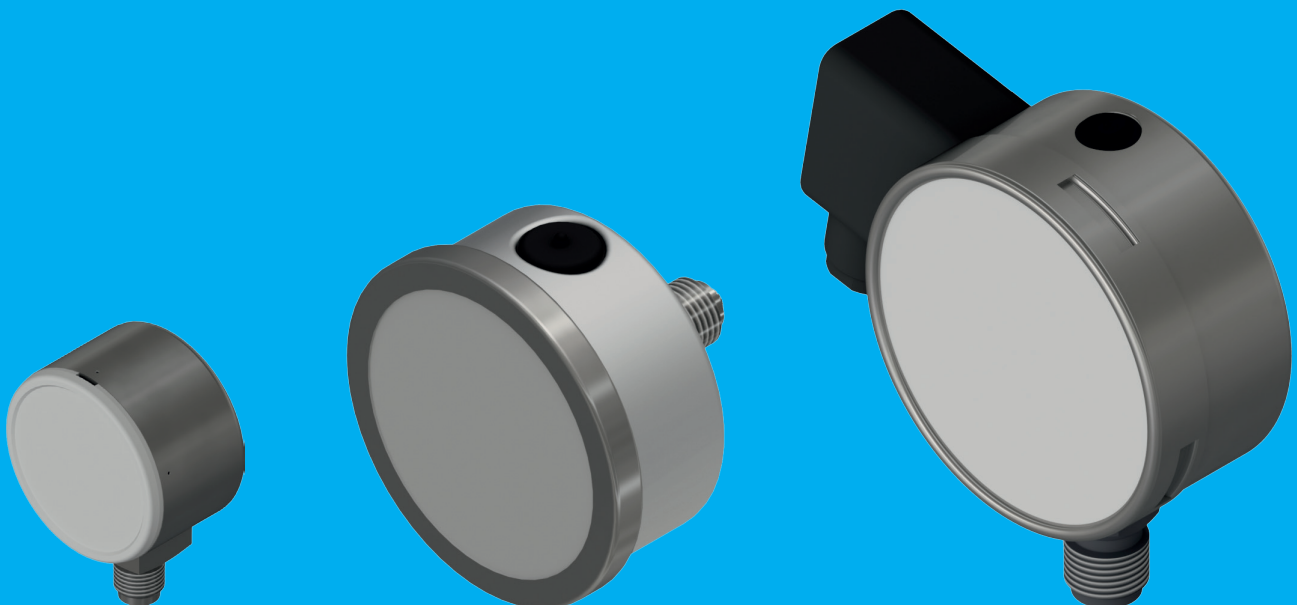
Product Catalogue

P-Series

Pressure Gauges

Pressure Gauges with Analogue Output

Pressure Gauges with Contacts



All given information and/or technical data in this document have been prepared very carefully and reflect the state of the art when issued.

Information and/or technical data may change without prior notice.

All given information and/or technical data in this document are not binding and for information purposes only. Binding information and/or technical data can be obtained from our quotations and/or order confirmations.

Please understand that we cannot be held responsible for the correctness of any given information and/or technical data in this document.

When installing or maintaining PINTER products always refer to the corresponding operating manual and technical data sheet.

All mentioned product names, product designations, product descriptions and logos are trademarks and property of their respective owners.

CHEMSEAL, DIMIO, INDUSENS, INDUSWITCH, INTELLICOMB, MANOCOMB, MINICOMB are trademarks and/or registered trademarks of the PINTER Mess- und Regeltechnik GmbH and/or their affiliated companies in Germany, the European Union, Switzerland and/or other countries. The use of PINTER trademarks is prohibited if not agreed otherwise.

Content

Product Overview / Selection Matrix P-SERIES Pressure Gauges.....	4
Bourdon-Tube Pressure Gauge Model P1	6
Capsule Pressure Gauge Model P2	16
Diaphragm Pressure Gauge Model P3.....	20
Safety Bourdon-Tube Pressure Gauge Model P1S.....	24
Transmitter Bourdon-Tube Pressure Gauge Model P1TM.....	28
Contact Bourdon-Tube Pressure Gauge Model P1K	32

Product Overview / Selection Matrix P-SERIES Pressure Gauges

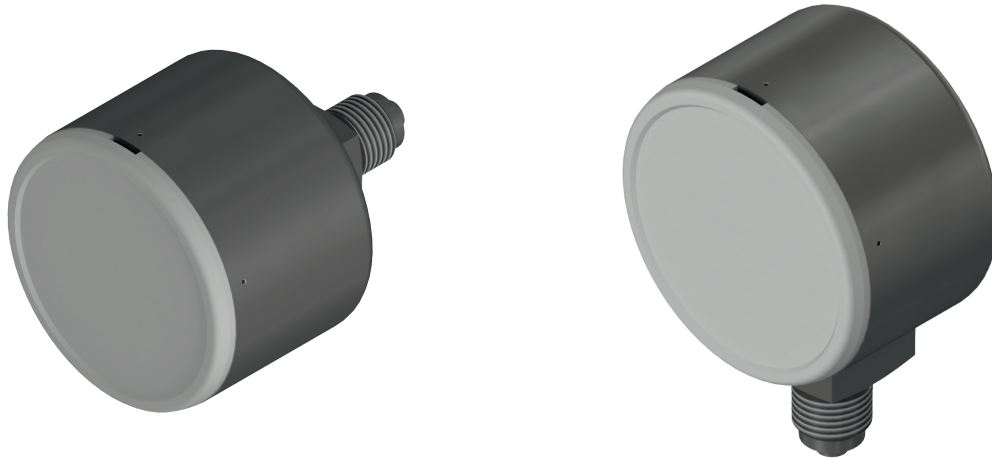


Model	P- Series	P1	P2	P3
Measuring System	Bourdon-Tube	•		
Measuring System	Capsule		•	
Measuring System	Diaphragm			•
Measuring System	Bourdon-Tube + Transmitter			
Nominal Size	40	•		
Nominal Size	50	•		
Nominal Size	63	•	•	
Nominal Size	80	•		
Nominal Size	100	•	•	•
Nominal Size	160	•	•	•
Accuracy	Class 1,0	•	•	
Accuracy	Class 1,6	•	•	•
Accuracy	Class 2,5	•	•	•
Wetted Parts	Brass	•	•	
Wetted Parts	Stainless Steel	•	•	•
Wetted Parts	Stainless Steel, Duratherm			•
Material Enclosure	Sheet Steel, Black	•	•	
Material Enclosure	Stainless Steel	•	•	•
Pressure Range	Pressure \geq 25 mbar		•	
Pressure Range	Pressure \geq 0,6 bar	•	•	•
Pressure Range	Pressure \geq 40 bar	•		
Pressure Range	Vacuum -1...0 bar	•	•	
Pressure Range	Vacuum \leq -25 mbar		•	
Pressure Range	combined Pressure/Vacuum	•	•	•
Orientation Process Connection	back	•	•	
Orientation Process Connection	bottom	•	•	•
Process Connection	Thread according to EN837	•	•	•
Process Connection	Thread according to ASME	•	•	•
Process Connection	flange			•
Process Connection	Prepared for Diaphragm Seal	•		
Specialties	Bracket mount	•	•	
Specialties	Front flange	•	•	
Specialties	Rear flange	•	•	•
Specialties	Filling/Damping	•	•	•
Specialties	Throttle Screw	•	•	•
Specialties	Reference Pointer	•	•	•
Specialties	MAX/MIN Pointer	•	•	•
Specialties	Magnetic Spring Contact			
Specialties	Inductive Contact			
Specialties	Analogue Output			



P1S	P1TM	P1K	P- Series	Model
•		•	Bourdon-Tube	Measuring System
			Capsule	Measuring System
			Diaphragm	Measuring System
	•		Bourdon-Tube + Transmitter	Measuring System
			40	Nominal Size
			50	Nominal Size
			63	Nominal Size
			80	Nominal Size
•	•	•	100	Nominal Size
		•	160	Nominal Size
•	•	•	Class 1,0	Accuracy
•	•	•	Class 1,6	Accuracy
			Class 2,5	Accuracy
			Brass	Wetted Parts
•	•	•	Stainless Steel	Wetted Parts
			Stainless Steel, Duratherm	Wetted Parts
			Sheet Steel, Black	Material Enclosure
•	•	•	Stainless Steel	Material Enclosure
			Pressure ≥ 25 mbar	Pressure Range
•	•	•	Pressure ≥ 0,6 bar	Pressure Range
•	•	•	Pressure ≥ 40 bar	Pressure Range
•	•	•	Vacuum -1...0 bar	Pressure Range
			Vacuum ≤ -25 mbar	Pressure Range
•	•	•	combined Pressure/Vacuum	Pressure Range
	•	•	back	Orientation Process Connection
•	•	•	bottom	Orientation Process Connection
•	•	•	Thread according to EN837	Process Connection
•	•	•	Thread according to ASME	Process Connection
			flange	Process Connection
•	•	•	Prepared for Diaphragm Seal	Process Connection
	•	•	Bracket mount	Specialties
	•	•	Front flange	Specialties
•	•	•	Rear flange	Specialties
•	•	•	Filling/Damping	Specialties
•	•	•	Throttle Screw	Specialties
•	•		Reference Pointer	Specialties
•	•		MAX/MIN Pointer	Specialties
		•	Magnetic Spring Contact	Specialties
		•	Inductive Contact	Specialties
	•		Analogue Output	Specialties

Bourdon-Tube Pressure Gauge Model P1.40



Application Bourdon-Tube Pressure Gauge Model P1.40 for normal and high pressure applications with aggressive, gaseous and liquid, not chrySTALLizing or highly viscous media.

Technical Data	Standard Version
Function	Pressure Gauge with Bourdon-Tube
Nominal Size	40
Pressure Ranges	0 - 1,6 bar; 0 - 2,5 bar; 0 - 4 bar; 0 - 6 bar; 0 - 10 bar; 0 - 16 bar; 0 - 25 bar; 0 - 40 bar
High Pressure Ranges	0 - 60 bar; 0 - 100 bar; 0 - 160 bar; 0 - 250 bar; 0 - 400 bar; 0 - 600 bar
Static Load	3/4 Full Scale
Dynamic Load	2/3 Full Scale
Material Enclosure	Stainless Steel 1.4301 (AISI 304)
Material Process Connection (wetted)	Stainless Steel 1.4404 / 1.4571 (AISI 316L / 316Ti)
Material Bourdon-Tube (wetted)	Stainless Steel 1.4404 / 1.4571 (AISI 316L / 316Ti)
Material Movement	Stainless Steel
Material Pointer	Aluminium, black
Material Window	Plastics
Filling/Damping	without
Permissible Media Temperature	-20...+100°C
Permissible Ambient Temperature	-20...+60°C
Temperature Deviation	≤ 0,5% per 20°C
Accuracy	Class 2,5
Process Connection	G 1/8 B or G1/4 B, each back or bottom
Protection (EN 60529)	IP32

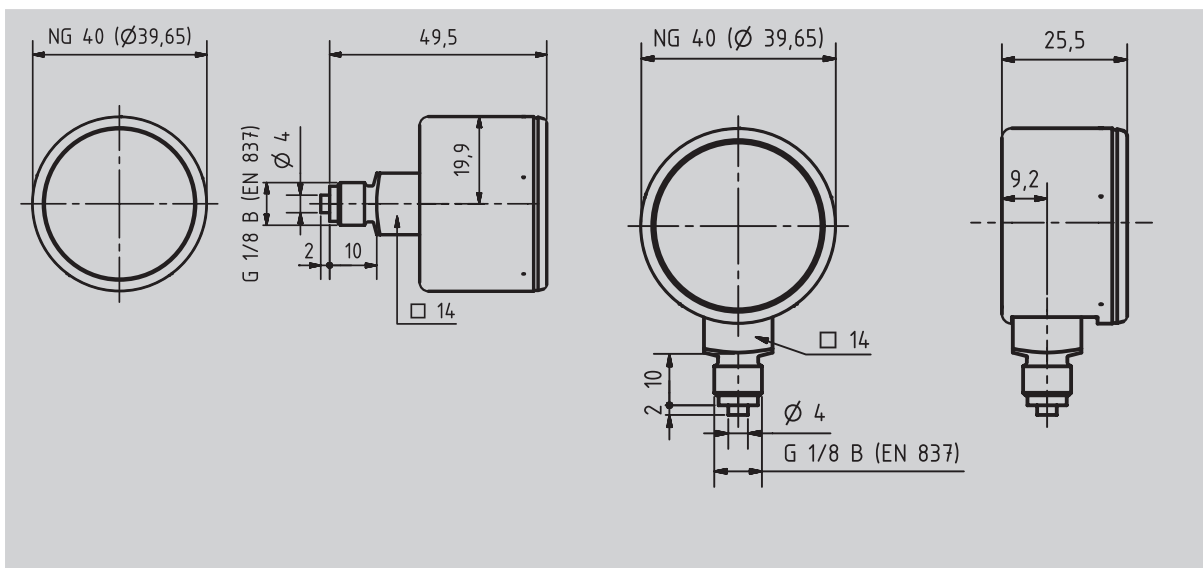
Options & Accessories

- Customer Specific Version
- Special Measuring Ranges; Scales in all common units (e.g. kPa, psi etc.)
- Low Temperature Version for Tamb -55...+60°C

Dimensions

G 1/8 B back

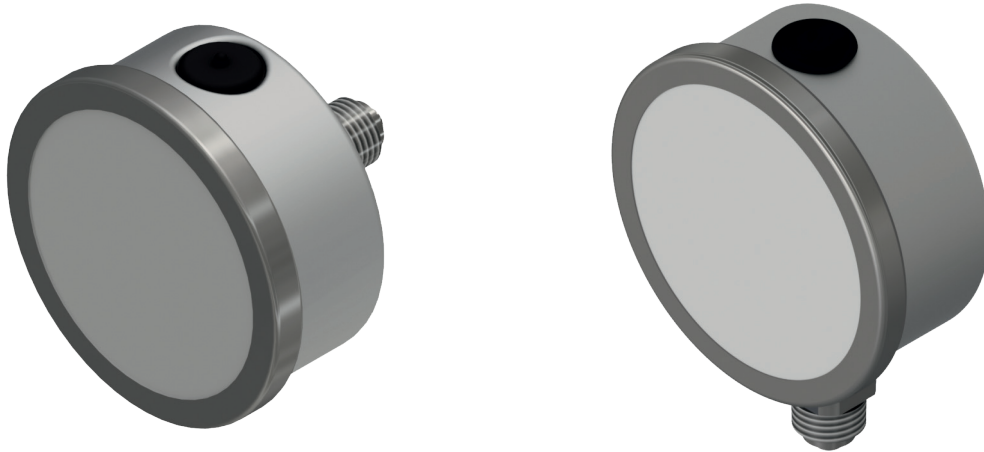
G 1/8 B bottom



Part-No. Overview

Pressure Range	G 1/8 B bottom	G 1/8 B back	G 1/4 B bottom	G 1/4 B back
0 - 1,6 bar	P1213A-022-ADZO	P1213A-022-ADXO	P1213A-022-ADBO	P1213A-022-ADIO
0 - 2,5 bar	P1213A-023-ADZO	P1213A-023-ADXO	P1213A-023-ADBO	P1213A-023-ADIO
0 - 4 bar	P1213A-024-ADZO	P1213A-024-ADXO	P1213A-024-ADBO	P1213A-024-ADIO
0 - 6 bar	P1213A-025-ADZO	P1213A-025-ADXO	P1213A-025-ADBO	P1213A-025-ADIO
0 - 10 bar	P1213A-026-ADZO	P1213A-026-ADXO	P1213A-026-ADBO	P1213A-026-ADIO
0 - 16 bar	P1213A-027-ADZO	P1213A-027-ADXO	P1213A-027-ADBO	P1213A-027-ADIO
0 - 25 bar	P1213A-028-ADZO	P1213A-028-ADXO	P1213A-028-ADBO	P1213A-028-ADIO
0 - 40 bar	P1213A-029-ADZO	P1213A-029-ADXO	P1213A-029-ADBO	P1213A-029-ADIO
0 - 60 bar	P1213A-030-ADZO	P1213A-030-ADXO	P1213A-030-ADBO	P1213A-030-ADIO
0 - 100 bar	P1213A-031-ADZO	-	P1213A-031-ADBO	-
0 - 160 bar	P1213A-032-ADZO	-	P1213A-032-ADBO	-
0 - 250 bar	P1213A-033-ADZO	-	P1213A-033-ADBO	-
0 - 400 bar	P1213A-035-ADZO	-	P1213A-035-ADBO	-
0 - 600 bar	P1213A-048-ADZO	-	P1213A-048-ADBO	-

Bourdon-Tube Pressure Gauge Model P1.50 / P1.63



Application Bourdon-Tube Pressure Gauge Model P1.50 /P1.63 for vacuum, normal and high pressure applications with aggressive, gaseous and liquid, not chrySTALLizing or highly viscous media.

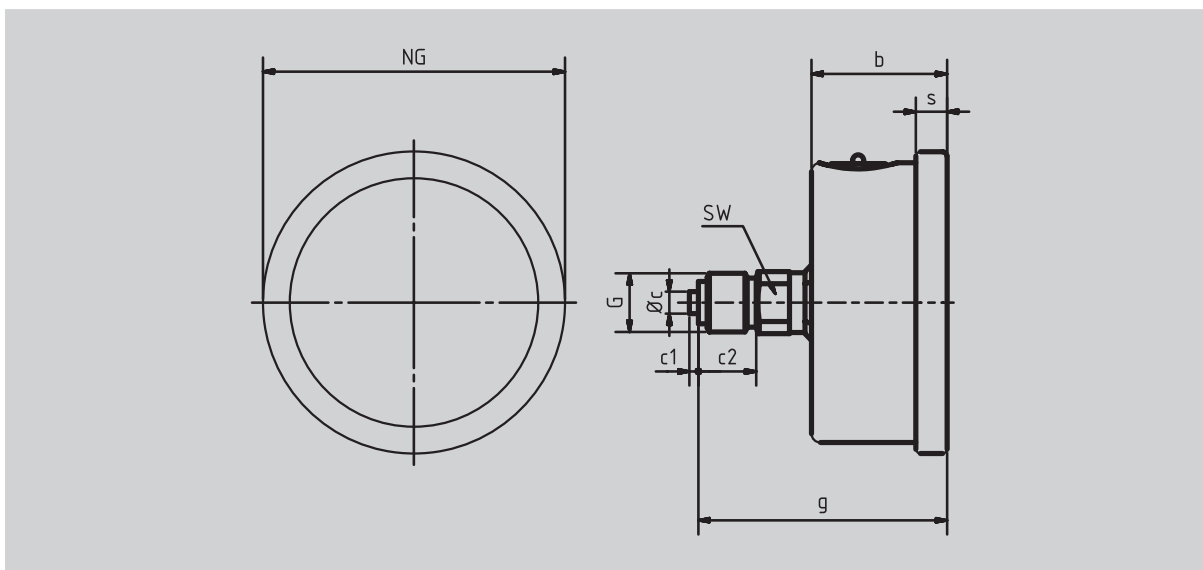
Technical Data	Standard Version
Function	Pressure Gauge with Bourdon-Tube
Nominal Size	50 or 63
Pressure Ranges	0 - 0,6 bar up to 0 - 40 bar
High Pressure Ranges	0 - 60 bar; 0 - 100 bar; 0 - 160 bar; 0 - 250 bar; 0 - 400 bar; 0 - 600 bar
Vacuum Ranges	-1...0 bar up to -1...+15 bar
Static Load	3/4 Full Scale
Dynamic Load	2/3 Full Scale
Material Enclosure	Stainless Steel 1.4301 (AISI 304)
Material Process Connection (wetted)	Stainless Steel 1.4404 / 1.4571 (AISI 316L / 316Ti)
Material Bourdon-Tube (wetted)	Stainless Steel 1.4404 / 1.4571 (AISI 316L / 316Ti)
Material Movement	Stainless Steel
Material Pointer	Aluminium, black
Material Window	Plastics (NG 50); Safety Glass(NG63)
Filling/Damping	without
Permissible Media Temperature	-20...+130°C
Permissible Ambient Temperature	-20...+60°C
Temperature Deviation	≤ 0,5% per 20°C
Accuracy	Class 1,6
Process Connection	G 1/4 B back or bottom
Protection (EN 60529)	IP54

Options & Accessories

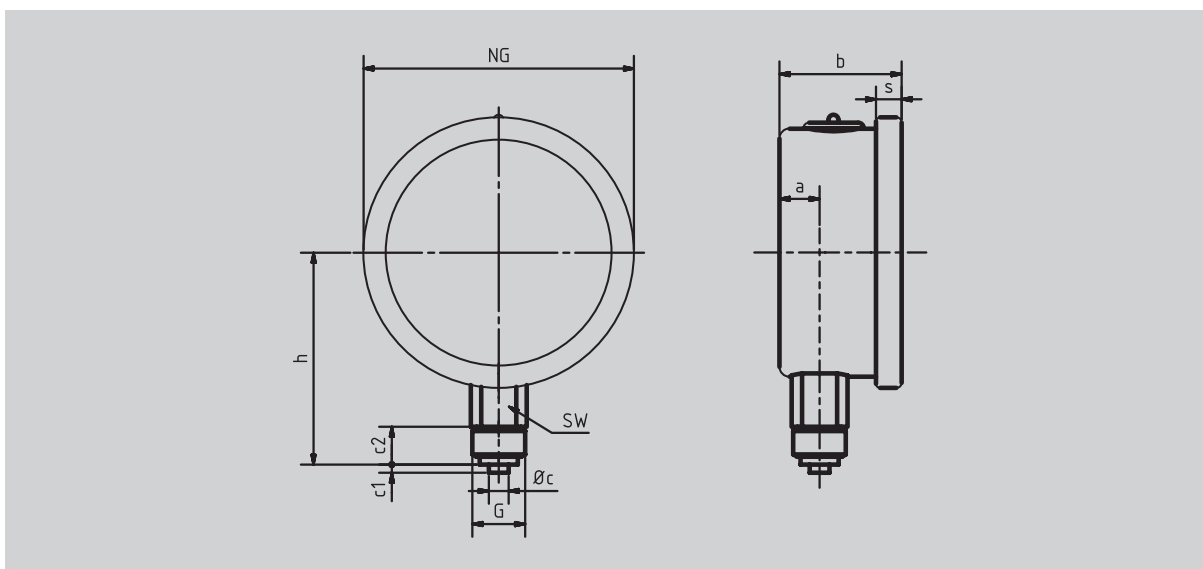
- Filling/Damping (e.g. Glycerine)
- Bracket Mounting; Front Flange(only NG63)
- Customer Specific Version; Special Measuring Ranges; Scales in all common units (e.g. kPa, psi etc.)

Dimensions

G 1/4 B back NG50 / 63



G 1/4 B bottom NG50 / 63



Dimensions [mm]

NG	G	a	b	Øc	c1	c2	g	h	s	SW
50	G 1/4 B	9,5	28	5	2	13	51	46	4,5	14
63	G 1/4 B	9,5	30,5	5	2	13	56	53	7	14

Order Codes

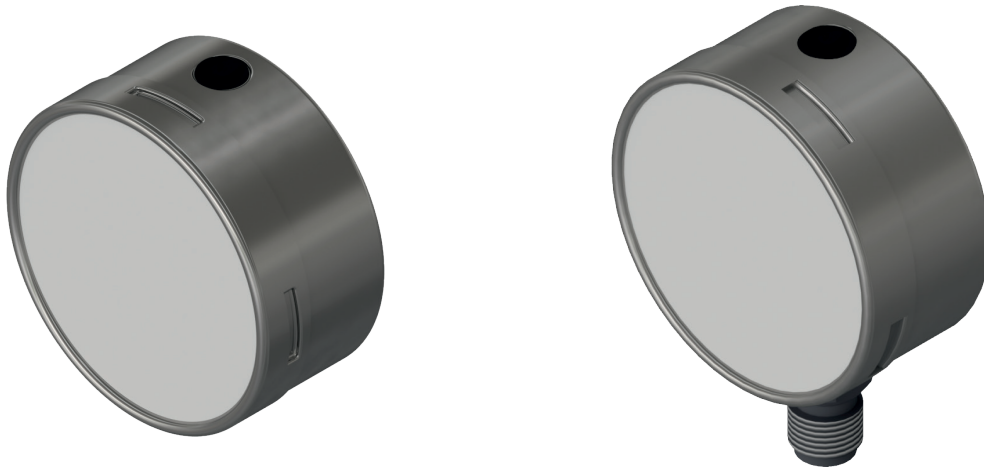
Overview with most common options

Order Code Structure	P 1 a b c d - e - f A h O	
a / Wetted Parts	Stainless Steel 1.4571 / 1.4404	2
a / Wetted Parts	Brass	1
b / Nominal Size	NG 50	2
b / Nominal Size	NG 63	3
c / Enclosure Type	Stainless Steel 1.4301	3
c / Enclosure Type	Stainless Steel 1.4301, with Front Flange	6
c / Enclosure Type	Stainless Steel 1.4301, with Mounting Bracket	7
c / Enclosure Type	Sheet Metal, black	1
c / Enclosure Type	Sheet Metal, black, with Front Flange	4
c / Enclosure Type	Sheet Metal, black, with Mounting Bracket	5
d / Window	Plastics	A
d / Window	Safety Glass	C
e / Pressure Range	-1...0 bar	006
e / Pressure Range	0 - 1 bar	020
e / Pressure Range	0 - 1,6 bar	022
e / Pressure Range	0 - 2,5 bar	023
e / Pressure Range	0 - 4 bar	024
e / Pressure Range	0 - 6 bar	025
e / Pressure Range	0 - 10 bar	026
e / Pressure Range	0 - 16 bar	027
e / Pressure Range	0 - 25 bar	028
e / Pressure Range	0 - 40 bar	029
e / Pressure Range	0 - 60 bar	030
e / Pressure Range	0 - 100 bar	031
e / Pressure Range	0 - 160 bar	032
e / Pressure Range	0 - 250 bar	033
e / Pressure Range	0 - 400 bar	035
f / Filling/Damping	without	A
f / Filling/Damping	Glycerine	D
h / Process Connection	G 1/4 B bottom, Stainless Steel	B
h / Process Connection	G 1/4 B back, Stainless Steel	I
h / Process Connection	G 1/4 B bottom, Brass	A
h / Process Connection	G 1/4 B back, Brass	H

Example Order Code

Order Code Structure	P 1 a b c d - e - f A h O	
Order Code	P1223A-026-AABO	
ID for P1		P1
a / Wetted Parts	Stainless Steel 1.4571 / 1.4404	2
b / Nominal Size	NG 50	2
c / Enclosure Type	Stainless Steel 1.4301	3
d / Window	Plastics	A
-	dash	-
e / Pressure Range	0 - 10 bar	026
-	dash	-
f / Filling/Damping	without	A
A	fixed part of order code	A
h / Process Connection	G 1/4 B bottom, Stainless Steel	B
O	fixed part of order code	O

Bourdon-Tube Pressure Gauge Model P1.100 / P1.160



Application

Bourdon-Tube Pressure Gauge Model P1.100 /P1.160 for vacuum, normal and high pressure applications with aggressive, gaseous and liquid, not chrySTALLizing or highly viscous media.

Technical Data

Standard Version

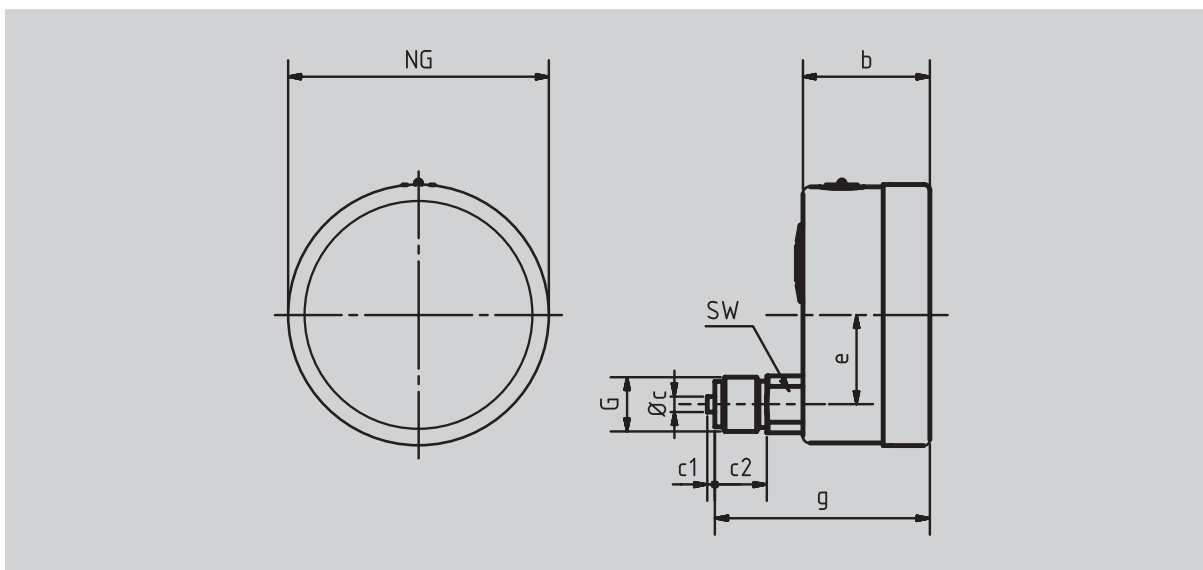
Function	Pressure Gauge with Bourdon-Tube
Nominal Size	100 or 160
Pressure Ranges	0 - 0,6 bar up to 0 - 40 bar
High Pressure Ranges	0 - 60 bar; 0 - 100 bar; 0 - 160 bar; 0 - 250 bar; 0 - 400 bar; 0 - 600 bar
Vacuum Ranges	-1...0 bar up to -1...+15 bar
Static Load	Full Scale
Dynamic Load	90% Full Scale
Material Enclosure	Stainless Steel 1.4301 (AISI 304)
Material Process Connection (wetted)	Stainless Steel 1.4404 / 1.4571 (AISI 316L / 316Ti)
Material Bourdon-Tube (wetted)	Stainless Steel 1.4404 / 1.4571 (AISI 316L / 316Ti)
Material Movement	Stainless Steel
Material Pointer	Aluminium, black
Material Window	Safety Glass
Filling/Damping	without
Permissable Media Temperature	-20...+130°C
Permissable Ambient Temperature	-20...+60°C
Temperature Deviation	≤ 0,5% je 20°C
Accuracy	Class 1,0
Process Connection	G 1/2 B back or bottom
Protection (EN 60529)	IP54

Options & Accessories

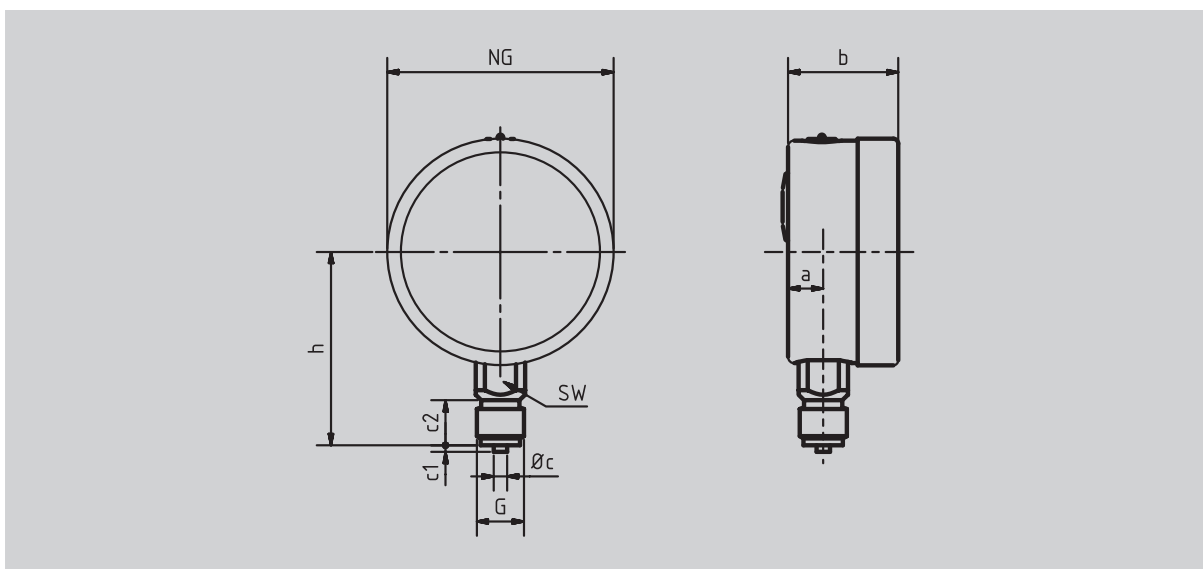
- Filling/Damping (e.g. Glycerine); damped movement
- other Process Connections (e.g. NPT-threads)
- Mounting Bracket; Front Flange; Rear Flange
- Reference Pointer; MIN/MAX Pointer
- Silicone-free Version; Version cleaned for O2-Service
- Special Measuring Ranges; Scales in all common units (e.g. kPa, psi etc.); Special Materials

Dimensions

G 1/2 B back NG100 / 160



G 1/2 B bottom NG100 / 160



Dimensions [mm]

NG	G	a	b	Øc	c1	c2	e	g	h	SW
100	G 1/2 B	15,5	50	6	3	20	34,5	83	86	22
160	G 1/2 B	17,5	50	6	3	20	34,5	83	116	22

Order Codes

Overview with most common options

Order Code Structure	P 1 a b c d - e - f g h i	
a / Wetted Parts	Stainless Steel 1.4571 / 1.4404	2
a / Wetted Parts	Stainless Steel 1.4571 / 1.4404, cleaned for O2-Service	5
a / Wetted Parts	Brass	1
b / Nominal Size	NG 100	5
b / Nominal Size	NG 160	6
c / Enclosure Type	Stainless Steel 1.4301	3
c / Enclosure Type	Stainless Steel 1.4301, with Mounting Bracket	7
c / Enclosure Type	Stainless Steel 1.4301, with Front Flange	6
c / Enclosure Type	Stainless Steel 1.4301, with Rear Flange	9
d / Window	Safety Glass	B
e / Pressure Range	-1...0 bar	006
e / Pressure Range	0 - 1 bar	020
e / Pressure Range	0 - 1,6 bar	022
e / Pressure Range	0 - 2,5 bar	023
e / Pressure Range	0 - 4 bar	024
e / Pressure Range	0 - 6 bar	025
e / Pressure Range	0 - 10 bar	026
e / Pressure Range	0 - 16 bar	027
e / Pressure Range	0 - 25 bar	028
e / Pressure Range	0 - 40 bar	029
e / Pressure Range	0 - 60 bar	030
e / Pressure Range	0 - 100 bar	031
e / Pressure Range	0 - 160 bar	032
e / Pressure Range	0 - 250 bar	033
e / Pressure Range	0 - 400 bar	035
f / Filling/Damping	without	A
f / Filling/Damping	Glycerine	D
f / Filling/Damping	Parafine Oill, FDA-compliant	B
f / Filling/Damping	damped movement	C
g / Accuracy	Class 1,0	B
h / Process Connection	G 1/2 B bottom, Stainless Steel	D
h / Process Connection	G 1/2 B back, Stainless Steel	K
h / Process Connection	G 1/2 B bottom, Brass	C
h / Process Connection	G 1/2 B back, Brass	J
h / Process Connection	G 1/4 B bottom, Stainless Steel	B
h / Process Connection	G 1/4 B back, Stainless Steel	I
h / Process Connection	1/2" NPT male, bottom, Stainless Steel	1
h / Process Connection	1/2" NPT male, back, Stainless Steel	2
h / Process Connection	1/2" NPT male, bottom, Brass	7
h / Process Connection	1/2" NPT male, back, Brass	8
h / Process Connection	M20x1,5 bottom, Stainless Steel	4
h / Process Connection	M20x1,5 bottom, Brass	3

Order Codes (Continued)

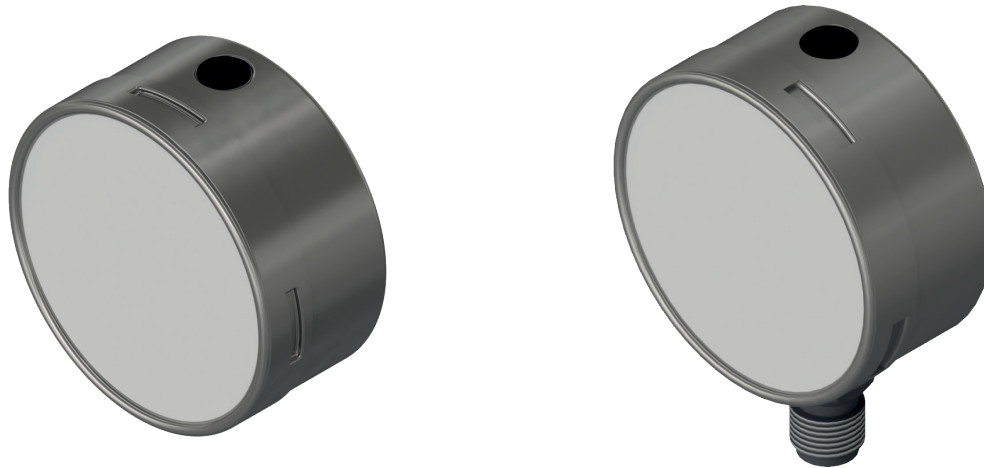
Overview with most common options

Order Code Structure	P 1 a b c d - e - f g h i	
i / further Options	without further Options	O
i / further Options	red Reference Pointer	BA
i / further Options	MAX Pointer	S
i / further Options	MIN Pointer	T
i / further Options	Dual Scale bar / psi	I
i / further Options	Dual Scale bar / kPa	AU

Example Order Code

Order Code Structure	P 1 a b c d - e - f g h i	
Order Code	P1253C-031-CBDBA	
ID for P1		P1
a / Wetted Parts	Stainless Steel 1.4571 / 1.4404	2
b / Nominal Size	NG 100	5
c / Enclosure Type	Stainless Steel 1.4301	3
d / Window	Safety Glass	C
-	Dash	-
e / Pressure Range	0 - 100 bar	031
-	Dash	-
f / Filling/Damping	damped movement	C
g / Accuracy	Class 1,0	B
h / Process Connection	G 1/2 B bottom, Stainless Steel	D
i / further Options	red Reference Pointer	BA

Capsule Pressure Gauge Model P2.63 / P2.100 / P2.160



Application Capsule Pressure Gauge Model P2.63 / P2.100 / P2.160 for vacuum and low pressure applications with aggressive, gaseous, dry media..

Technical Data **Standard Version**

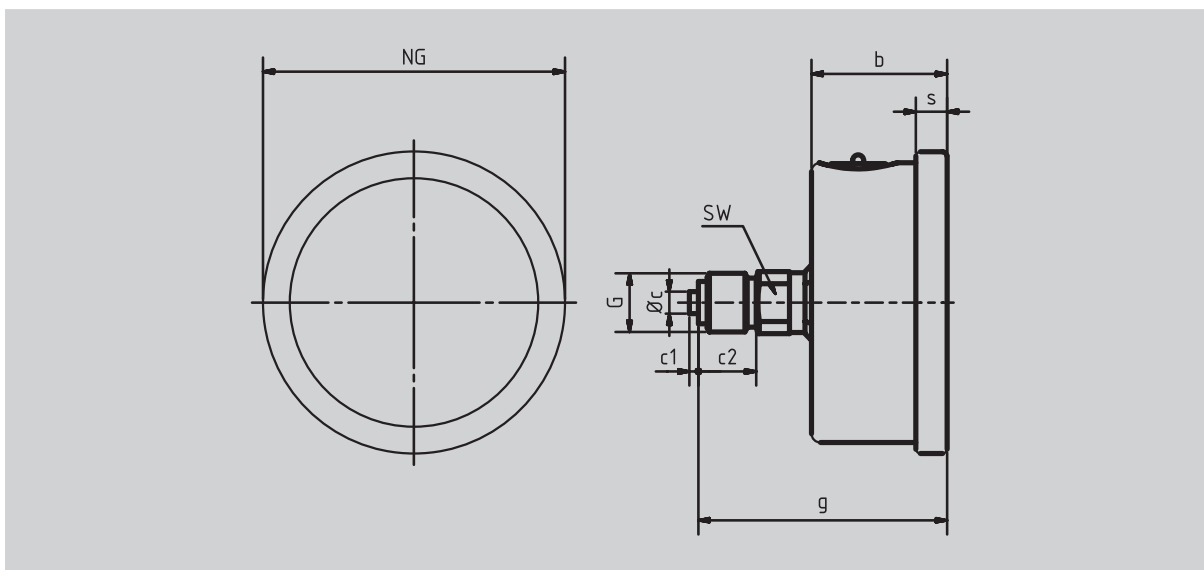
Function	Pressure Gauge with Capsule
Nominal Size	63 or 100 or 160
NiederPressure Rangee	0 - 25 mbar up to 0 - 1000 mbar
Vacuum Ranges	-1000...0 mbar up to -25...0 mbar
Static Load	Full Scale
Dynamic Load	90% Full Scale
Überdrucksicherheit	1,3x Full Scale
Material Enclosure	Stainless Steel 1.4301 (AISI 304)
Material Process Connection (wetted)	Stainless Steel 1.4404 / 1.4571 (AISI 316L / 316Ti)
Material Capsule (wetted)	Stainless Steel 1.4404 / 1.4571 (AISI 316L / 316Ti)
Material Seal (wetted)	FKM
Material Movement	Stainless Steel
Material Pointer	Aluminium, black
Material Window	Safety Glass
Filling/Damping	without
Permissable Media Temperature	-20...+100°C
Permissable Ambient Temperature	-20...+60°C
Temperature Deviation	≤ 0,5% je 20°C
Accuracy	Class 1,6
Zero Adjustment	front facing
Process Connection	G 1/2 B back or bottom
Protection (EN 60529)	IP32

Options & Accessories

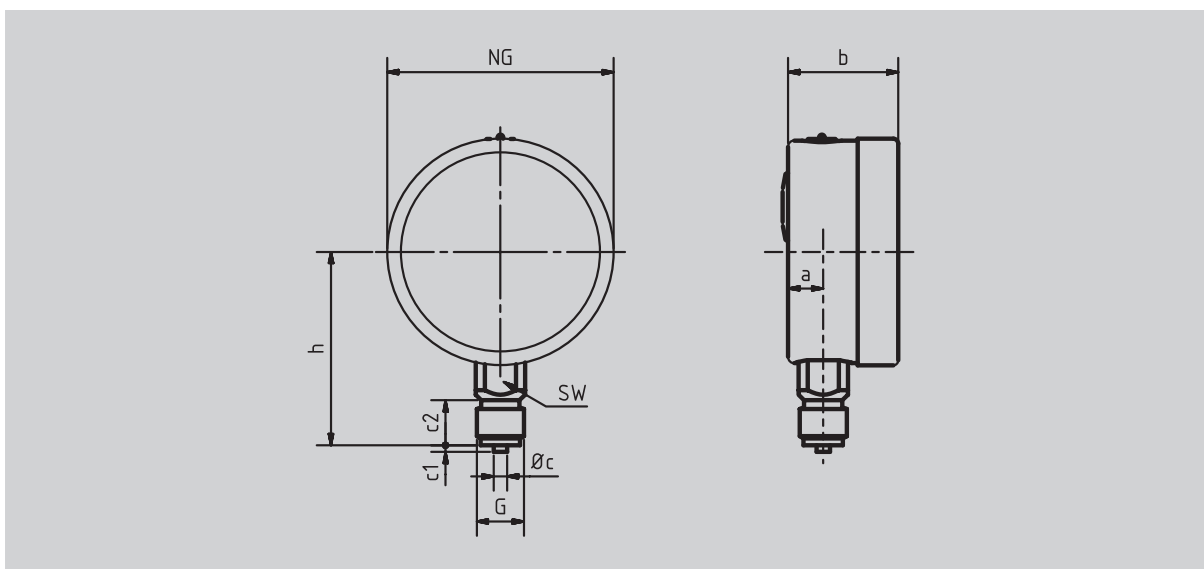
- Filling/Damping (e.g. Glycerine; from Pressure Range 0 - 60 mbar)
- Accuracy Class 1,0 (only NG 100 / 160)
- Protection Type IP54 (only NG 100)
- other Process Connections (e.g. NPT-threads)
- Mounting Bracket; Front Flange; Rear Flange
- Reference Pointer; MIN/MAX Pointer (from Pressure Range 0 - 250 mbar)
- Silicone-free Version; Version cleaned for O2-Service
- Special Measuring Ranges; Scales in all common units (e.g. kPa, psi etc.); Special Materials

Dimensions

Connection back NG63 / 100 / 160



Connection bottom NG63 / 100 / 160



Dimensions [mm]

NG	G	a	b	Øc	c1	c2	g	h	SW
63	G 1/4 B	10,8	40	5	2	13	60	53	14
100	G 1/2 B	15,5	50	6	3	20	83	86	22
160	G 1/2 B	17,5	50	6	3	20	83	116	22

Order Codes

Overview with most common options

Order Code Structure	P 2 a b c d - e - f g h i	
a / Wetted Parts	Stainless Steel 1.4571 / 1.4404	2
a / Wetted Parts	Stainless Steel 1.4571 / 1.4404, cleaned for O2-Service	5
a / Wetted Parts	Brass	1
b / Nominal Size	NG 63	5
b / Nominal Size	NG 100	5
b / Nominal Size	NG 160	6
c / Enclosure Type	Stainless Steel 1.4301	3
c / Enclosure Type	Stainless Steel 1.4301, with Mounting Bracket	7
c / Enclosure Type	Stainless Steel 1.4301, with Front Flange	6
c / Enclosure Type	Stainless Steel 1.4301, with Rear Flange	9
d / Window	Safety Glass	B
e / Pressure Range	-1000...0 mbar	016
e / Pressure Range	-600...0 mbar	105
e / Pressure Range	-400...0 mbar	004
e / Pressure Range	-250...0 mbar	003
e / Pressure Range	-160...0 mbar	002
e / Pressure Range	-100...0 mbar	001
e / Pressure Range	-60...0 mbar	000
e / Pressure Range	-40...0 mbar	00E
e / Pressure Range	-25...0 mbar	00D
e / Pressure Range	0 - 25 mbar	00I
e / Pressure Range	0 - 40 mbar	00J
e / Pressure Range	0 - 60 mbar	010
e / Pressure Range	0 - 100 mbar	011
e / Pressure Range	0 - 160 mbar	012
e / Pressure Range	0 - 250 mbar	013
e / Pressure Range	0 - 400 mbar	014
e / Pressure Range	0 - 600 mbar	015
e / Pressure Range	0 - 1000 mbar	016
f / Filling/Damping	without	A
f / Filling/Damping	Glycerine (from Pressure Range 0 - 60 mbar)	D
g / Accuracy	Class 1,6	A
g / Accuracy	Class 1,0 (only NG 100 / 160)	B
h / Process Connection	G 1/2 B bottom, Stainless Steel	D
h / Process Connection	G 1/2 B back, Stainless Steel	K
h / Process Connection	G 1/2 B bottom, Brass	C
h / Process Connection	G 1/2 B back, Brass	J
h / Process Connection	G 1/4 B bottom, Stainless Steel	B
h / Process Connection	G 1/4 B back, Stainless Steel	I
h / Process Connection	1/2" NPT male, bottom, Stainless Steel	1
h / Process Connection	1/2" NPT male, back, Stainless Steel	2
h / Process Connection	1/2" NPT male, bottom, Brass	7
h / Process Connection	1/2" NPT male, back, Brass	8
h / Process Connection	M20x1,5 bottom, Stainless Steel	4
h / Process Connection	M20x1,5 bottom, Brass	3

Order Codes (Continued)

Overview with most common options

Order Code Structure	P 2 a b c d - e - f g h i	
i / further Options	without further Options	O
i / further Options	red Reference Pointer	BA
i / further Options	MAX Pointer (from Pressure Range 0 - 250 mbar)	S
i / further Options	MIN Pointer (from Pressure Range 0 - 250 mbar)	T
i / further Options	Dual Scale bar / psi	I
i / further Options	Dual Scale bar / kPa	AU

Example Order Code

Order Code Structure	P 2 a b c d - e - f g h i	
Order Code	P2253C-011-ABDO	
ID for P2		P2
a / Wetted Parts	Stainless Steel 1.4571 / 1.4404	2
b / Nominal Size	NG 100	5
c / Enclosure Type	Stainless Steel 1.4301	3
d / Window	Safety Glass	C
-	Dash	-
e / Pressure Range	0 - 100 mbar	011
-	Dash	-
f / Filling/Damping	without	A
g / Accuracy	Class 1,0	B
h / Process Connection	G 1/2 B bottom, Stainless Steel	D
i / further Options	without	O

Diaphragm-Gauge Model P3.100 / P3.160



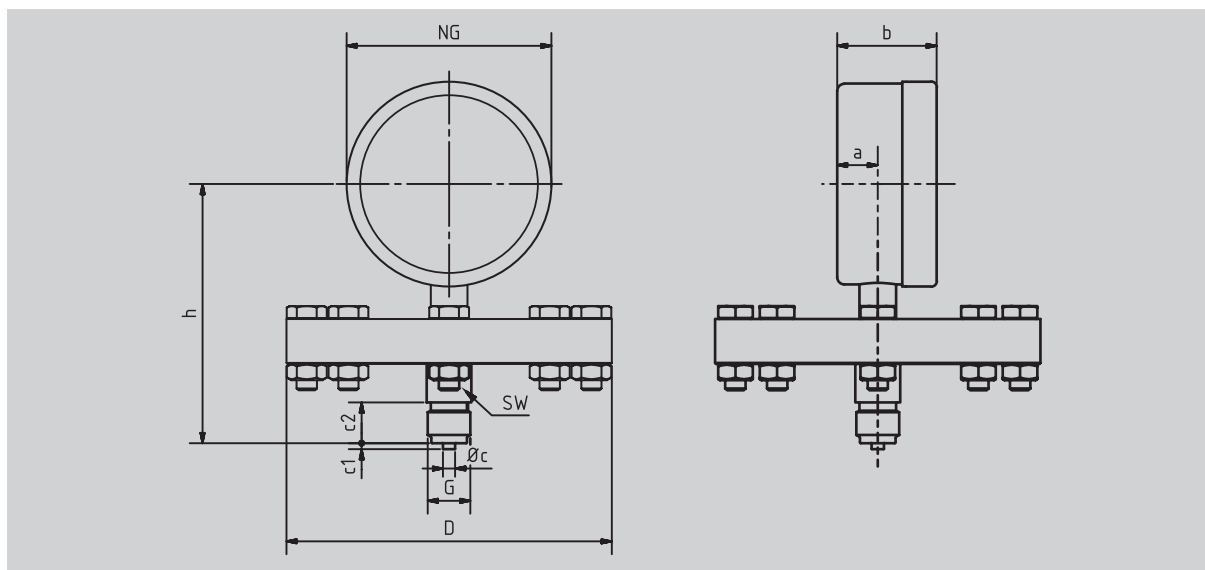
Application Diaphragm-Gauge Model P3.100 / P3.160 for low pressure, normal pressure applications with aggressive, gaseous and liquid, not chrySTALLizing or highly viscous media.

Technical Data	Standard Version
Function	Pressure Gauge with Diaphragm
Nominal Size	100 or 160
NiederPressure Rangee	0 - 10 mbar up to 0 - 600 mbar
Pressure Ranges	0 - 1 bar up to 0 - 25 bar
Static Load	Full Scale
Dynamic Load	90% Full Scale
Overpressure Safety	5x Full Scale (max. 40 bar / 2,5 bar with Flange Ø 160)
Material Enclosure	Stainless Steel 1.4301 (AISI 304)
Material Process Connection (wetted)	Stainless Steel 1.4404 / 1.4571 (AISI 316L / 316Ti)
Material bottom Flange (wetted)	Stainless Steel 1.4404 / 1.4571 (AISI 316L / 316Ti)
Material Diaphragm (wetted)	Flange Ø 100: Duratherm / Ø 160: Stainless Steel 1.4404 / 1.4571 (AISI 316L / 316Ti)
Material Seal (wetted)	FKM
Material top Flange	Stainless Steel 1.4301 (AISI 304)
Material Movement	Stainless Steel
Material Pointer	Aluminium, black
Material Window	Safety Glass
Filling/Damping	without
Permissable Media Temperature	-20...+100°C
Permissable Ambient Temperature	-20...+60°C
Temperature Deviation	≤ 0,5% je 20°C
Accuracy	Class 1,6
Process Connection	G 1/2 B bottom
Protection (EN 60529)	IP54

- Options & Accessories**
- Filling/Damping (Glycerine; from 40 mbar / Accuracy Class 2,5)
 - other Process Connections (e.g. NPT-threads; Flange Connection according to EN/ASME)
 - extended Overpressure Safety: 10x Full Scale (max. 40 bar / 2,5 bar with Flange Ø 160)
 - Special Measuring Ranges; Scales in all common units (e.g. kPa, psi etc.); Special Materials

Dimensions

Connection G 1/2 B bottom



Dimensions [mm]

NG	G	a	b	Øc	c1	c2	D'	h	SW
100	G 1/2 B	20	55	6	3	20	100 / 160	127	22
160	G 1/2 B	20	55	6	3	20	100 / 160	156	22

Anmerkungen

1 D = Flange Diameter

Order Codes

Overview with most common options

Order Code Structure	P 3 a b 3 C - e - A A D i	
a / Wetted Parts	Stainless Steel 1.4571 / 1.4404 (Flange Ø160)	2
a / Wetted Parts	Stainless Steel 1.4571 / 1.4404 , Duratherm (Flange Ø100)	8
b / Nominal Size	NG 100	5
b / Nominal Size	NG 160	6
c / Enclosure Type	Stainless Steel 1.4301	3
d / Window	Safety Glass	C
e / Pressure Range	0 - 10 mbar	00G
e / Pressure Range	0 - 16 mbar	00H
e / Pressure Range	0 - 25 mbar	00I
e / Pressure Range	0 - 40 mbar	00J
e / Pressure Range	0 - 60 mbar	010
e / Pressure Range	0 - 100 mbar	011
e / Pressure Range	0 - 160 mbar	012
e / Pressure Range	0 - 250 mbar	013
e / Pressure Range	0 - 400 mbar	014
e / Pressure Range	0 - 600 mbar	015
e / Pressure Range	0 - 1 bar	020
e / Pressure Range	0 - 1,6 bar	022
e / Pressure Range	0 - 2,5 bar	023
e / Pressure Range	0 - 4 bar	024
e / Pressure Range	0 - 6 bar	025
e / Pressure Range	0 - 10 bar	026
e / Pressure Range	0 - 16 bar	027
e / Pressure Range	0 - 25 bar	028
f / Filling/Damping	without	A
g / Accuracy	Class 1,6	A
h / Process Connection	G 1/2 B bottom, Stainless Steel	D
i / further Options	without further Options	O
i / further Options	Dual Scale bar / psi	I
i / further Options	Dual Scale bar / kPa	AU

Example Order Code

Order Code Structure	P 3 a b 3 C - e - A A D i	
Order Code	P3253C-011-AADO	
ID for P3		P3
a / Wetted Parts	Stainless Steel 1.4571 / 1.4404 (Flange Ø160)	2
b / Nominal Size	NG 100	5
c / Enclosure Type	Stainless Steel 1.4301	3
d / Window	Safety Glass	C
-	Dash	-
e / Pressure Range	0 - 100 mbar	011
-	Dash	-
f / Filling/Damping	without	A
g / Accuracy	Class 1,6	A
h / Process Connection	G 1/2 B bottom, Stainless Steel	D
i / further Options	without further Options	O

Bourdon-Tube-Safety-Pressure Gauge Model P1S.100 / P1S.160



Application Bourdon-Tube Pressure Gauge Model P1S.100 /P1S.160 for vacuum, normal and high pressure applications with aggressive, gaseous and liquid, not chrySTALLizing or highly viscous media.

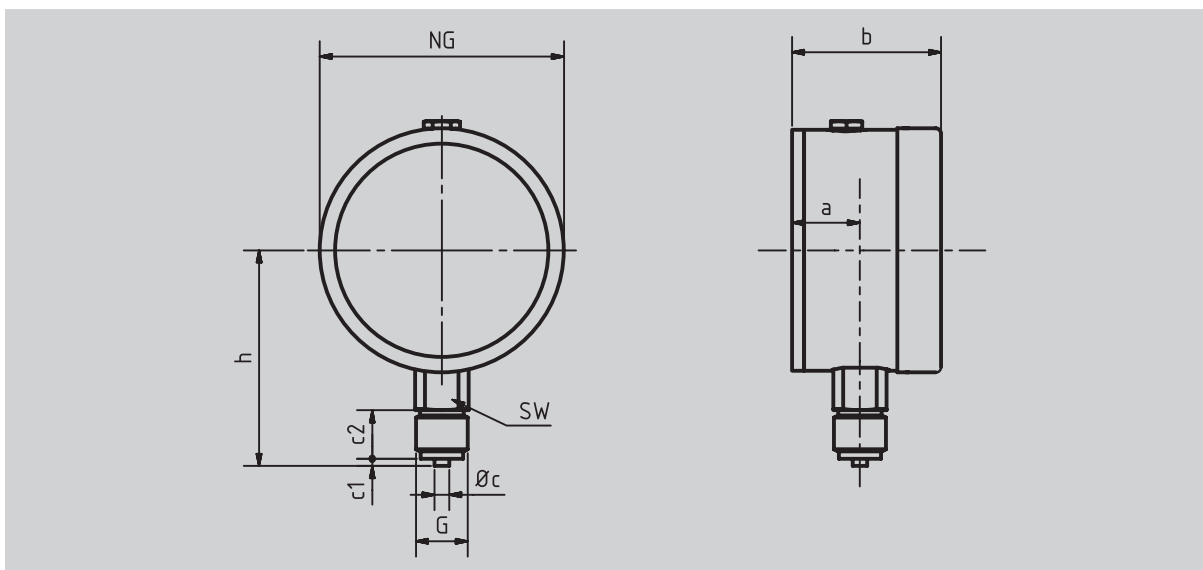
Approvals Safety Pressure Gauge S3 according to EN 837-1/9.7.2

Technical Data	Standard Version
Function	Safety Pressure Gauge S3 with Bourdon-Tube
Nominal Size	100 or 160
Pressure Ranges	0 - 0,6 bar up to 0 - 40 bar
High Pressure Ranges	0 - 60 bar; 0 - 100 bar; 0 - 160 bar; 0 - 250 bar; 0 - 400 bar; 0 - 600 bar
Vacuum Ranges	-1...0 bar up to -1...+15 bar
Static Load	Full Scale
Dynamic Load	90% Full Scale
Overpressure Safety	1,3x Full Scale
Material Enclosure	Stainless Steel 1.4301 (AISI 304); break-proof divider, blow-out back (S3)
Material Process Connection (wetted)	Stainless Steel 1.4404 / 1.4571 (AISI 316L / 316Ti)
Material Bourdon-Tube (wetted)	Stainless Steel 1.4404 / 1.4571 (AISI 316L / 316Ti)
Material Movement	Stainless Steel
Material Pointer	Aluminium, black
Material Window	Safety Glass
Filling/Damping	without
Permissible Media Temperature	-20...+100°C
Permissible Ambient Temperature	-20...+60°C
Temperature Deviation	≤ 0,5% je 20°C
Accuracy	Class 1,0
Process Connection	G 1/2 B back or bottom
Protection (EN 60529)	IP54

- Options & Accessories**
- Filling/Damping (e.g. Glycerine)
 - other Process Connections (e.g. NPT-threads)
 - Silicone-free Version; Version cleaned for O2-Service
 - Special Measuring Ranges; Scales in all common units (e.g. kPa, psi etc.); Special Materials

Dimensions

Connection G 1/2 B back NG100 / 160



Dimensions [mm]

NG	G	a	b	Øc	c1	c2	h	SW
100	G 1/2 B	25	57	6	3	20	86	22
160	G 1/2 B	26	65	6	3	20	116	22

Order Codes

Overview with most common options

Order Code Structure	P 6 a b S d - e - f g h O	
a / Wetted Parts	Stainless Steel 1.4571 / 1.4404	2
a / Wetted Parts	Stainless Steel 1.4571 / 1.4404, cleaned for O2-Service	5
b / Nominal Size	NG 100	5
b / Nominal Size	NG 160	6
c / Enclosure Type	S3-Safety Version / Stainless Steel 1.4301	S
d / Window	Safety Glass	C
e / Pressure Range	-1...0 bar	006
e / Pressure Range	0 - 1 bar	020
e / Pressure Range	0 - 1,6 bar	022
e / Pressure Range	0 - 2,5 bar	023
e / Pressure Range	0 - 4 bar	024
e / Pressure Range	0 - 6 bar	025
e / Pressure Range	0 - 10 bar	026
e / Pressure Range	0 - 16 bar	027
e / Pressure Range	0 - 25 bar	028
e / Pressure Range	0 - 40 bar	029
e / Pressure Range	0 - 60 bar	030
e / Pressure Range	0 - 100 bar	031
e / Pressure Range	0 - 160 bar	032
e / Pressure Range	0 - 250 bar	033
e / Pressure Range	0 - 400 bar	035
e / Pressure Range	0 - 600 bar	048
f / Filling/Damping	without	A
f / Filling/Damping	Glycerine	D
g / Accuracy	Class 1,0	B
h / Process Connection	G 1/2 B bottom, Stainless Steel	D
i / further Options	without further Options	O

Example Order Code

Order Code Structure	P 6 a b S d - e - f g h O
Order Code	P655SC-033-ABDO
ID for PIS	P6
a / Wetted Parts	Stainless Steel 1.4571 / 1.4404, cleaned for O2-Service 5
b / Nominal Size	NG 100 5
c / Enclosure Type	S3-Safety Version / Stainless Steel 1.4301 S
d / Window	Safety Glass C
-	Dash -
e / Pressure Range	0 - 250 bar 033
-	Dash -
f / Filling/Damping	without A
g / Accuracy	Class 1,0 B
h / Process Connection	G 1/2 B bottom, Stainless Steel D
i / further Options	without further Options O

Transmitter-Bourdon-Tube Gauge Model P1TM.100



Application Transmitter-Bourdon-Tube Gauge Model P1TM for vacuum, low pressure, normal pressure and high pressure applications with aggressive, gaseous and liquid, not chrystallizing or highly viscous media.

Specialties with integrated Pressure Transmitter

Technical Data	Standard Version
Function	Pressure Gauge with Bourdon-Tube; with integrated Pressure Transmitter
Nominal Size	100
Pressure Ranges	0 - 1 bar up to 0 - 40 bar
High Pressure Ranges	0 - 60 bar; 0 - 100 bar; 0 - 160 bar; 0 - 250 bar; 0 - 400 bar
Vacuum Ranges	-1...0 bar up to -1...+15 bar
Static Load	Full Scale
Dynamic Load	90% Full Scale
Material Enclosure	Stainless Steel 1.4301 (AISI 304)
Material Process Connection (wetted)	Stainless Steel 1.4404 / 1.4571 (AISI 316L / 316Ti)
Material Bourdon-Tube (wetted)	Stainless Steel 1.4404 / 1.4571 (AISI 316L / 316Ti)
Material Movement	Stainless Steel
Material Pointer	Aluminium, black
Material Window	Safety Glass
Material Pressure Transmitter (wetted)	Stainless Steel 1.4435 (AISI 316L)
Filling/Damping	without
Permissible Media Temperature	-20...+130°C
Permissible Ambient Temperature	-20...+70°C
Temperature Deviation	≤ 0,5% per 20°C
Accuracy	Class 1,0
Process Connection	G 1/2 B back or bottom
Protection (EN 60529)	IP54
Accuracy Pressure Transmitter	≤ 0,5% FS
Output Signal Pressure Transmitter	4 - 20 mA (2-wire)
Supply for Pressure Transmitter	12 - 32 VDC
Electrical Connection	7-pin plug

Options & Accessories

Filling/Damping; damped movement

other Process Connections (e.g. NPT-threads)

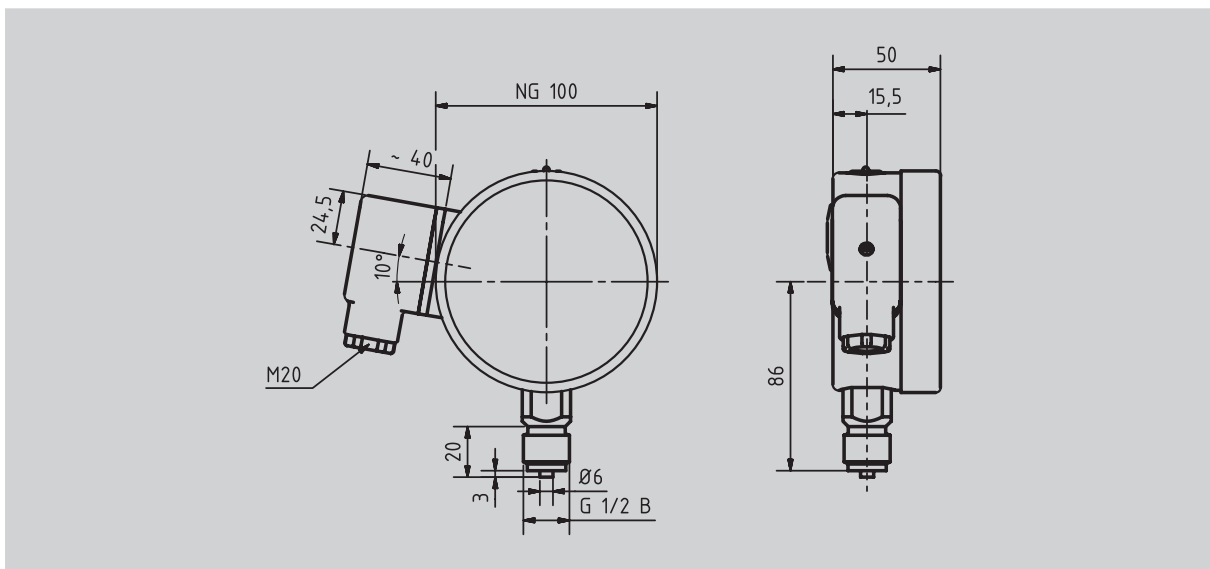
Output Signal Pressure Transmitter: 0 - 10 V

Elektrischer Anschluss: M12 Steckverbinder

Special Measuring Ranges; Scales in all common units (e.g. kPa, psi etc.); Special Materials

Dimensions

Anschluss G 1/2 B bottom NG100



Order Codes

Overview with most common options

Order Code Structure	P 4 2 5 3 C - e - f B h i	
a / Wetted Parts	Stainless Steel 1.4571 / 1.4404	2
b / Nominal Size	NG 100	5
c / Enclosure Type	Stainless Steel 1.4301	3
d / Window	Safety Glass	C
e / Pressure Range	-1...0 bar	006
e / Pressure Range	0 - 1 bar	020
e / Pressure Range	0 - 1,6 bar	022
e / Pressure Range	0 - 2,5 bar	023
e / Pressure Range	0 - 4 bar	024
e / Pressure Range	0 - 6 bar	025
e / Pressure Range	0 - 10 bar	026
e / Pressure Range	0 - 16 bar	027
e / Pressure Range	0 - 25 bar	028
e / Pressure Range	0 - 40 bar	029
e / Pressure Range	0 - 60 bar	030
e / Pressure Range	0 - 100 bar	031
e / Pressure Range	0 - 160 bar	032
e / Pressure Range	0 - 250 bar	033
e / Pressure Range	0 - 400 bar	035
f / Filling/Damping	without	A
f / Filling/Damping	Parafine Oil, FDA-compliant	B
f / Filling/Damping	damped movement	C
g / Accuracy	Class 1,0	B
h / Process Connection	G 1/2 B bottom, Stainless Steel	D
h / Process Connection	G 1/2 B back, Stainless Steel	K
h / Process Connection	G 1/4 B bottom, Stainless Steel	B
h / Process Connection	G 1/4 B back, Stainless Steel	I
h / Process Connection	1/2" NPT male, bottom, Stainless Steel	1
h / Process Connection	1/2" NPT male, back, Stainless Steel	2
h / Process Connection	M20x1,5 bottom, Stainless Steel	4
h / Process Connection	M20x1,5 bottom, Brass	3
i / Analogue Output	4 - 20 mA (2-wire)	A
i / Analogue Output	0 - 10 V (3-wire)	B

Example Order Code

Order Code Structure	P 4 2 5 3 C - e - f B h i	
Order Code	P4253C-031-ABDA	
ID for PITM		P4
a / Wetted Parts	Stainless Steel 1.4571 / 1.4404	2
b / Nominal Size	NG 100	5
c / Enclosure Type	Stainless Steel 1.4301	3
d / Window	Safety Glass	C
-	Dash	-
e / Pressure Range	0 - 100 bar	031
-	Dash	-
f / Filling/Damping	without	A
g / Accuracy	Class 1,0	B
h / Process Connection	G 1/2 B bottom, Stainless Steel	D
i / Analogue Output	4 - 20 mA (2-wire)	A

Kontakt-Rohrfeder-Manometer Modell P1K.100 / P1K.160



Application Kontakt-Rohrfeder-Manometer Modell P1K.100 / P1K.160 für Vakuum-, Niederdruck-, Normaldruck- und Hochdruck-Applications mit aggressiven, gasförmigen und flüssigen, nicht kristallisierenden or hochviskosen Medien.

Besonderheiten mit Schaltkontakt(en)

Technical Data	Standard Version
Function	Pressure Gauge with Bourdon-Tube; mit Schaltkontakt(en)
Nominal Size	100 or 160
Pressure Ranges	0 - 1 bar up to 0 - 40 bar
High Pressure Ranges	0 - 60 bar; 0 - 100 bar; 0 - 160 bar; 0 - 250 bar; 0 - 400 bar
Vacuum Ranges	-1...0 bar up to -1...+15 bar
Static Load	Full Scale
Dynamic Load	90% Full Scale
Material Enclosure	Stainless Steel 1.4301 (AISI 304)
Material Process Connection (wetted)	Stainless Steel 1.4404 / 1.4571 (AISI 316L / 316Ti)
Material Bourdon-Tube (wetted)	Stainless Steel 1.4404 / 1.4571 (AISI 316L / 316Ti)
Material Movement	Stainless Steel
Material Pointer	Aluminium, black
Material Window	Plastics mit Schalterpunktstellung
Filling/Damping	without
Permissible Media Temperature	-20...+130°C
Permissible Ambient Temperature	-20...+70°C
Temperature Deviation	≤ 0,5% je 20°C
Accuracy	Class 1,0
Process Connection	G 1/2 B back or bottom
Protection (EN 60529)	IP54
Kontakteinrichtung	wahlweise Magnetspringkontakt or Induktivkontakt
typische Schaltdifferenz	5% FS für Magnetspringkontakt; 0,5% FS für Induktivkontakt
Einstellbereich	5 - 95% Full Scale
SchaltFunction	wahlweise Öffner or Schließer
Elektrischer Anschluss	Kabellose

Options & Accessories

Filling/Damping auf Anfrage

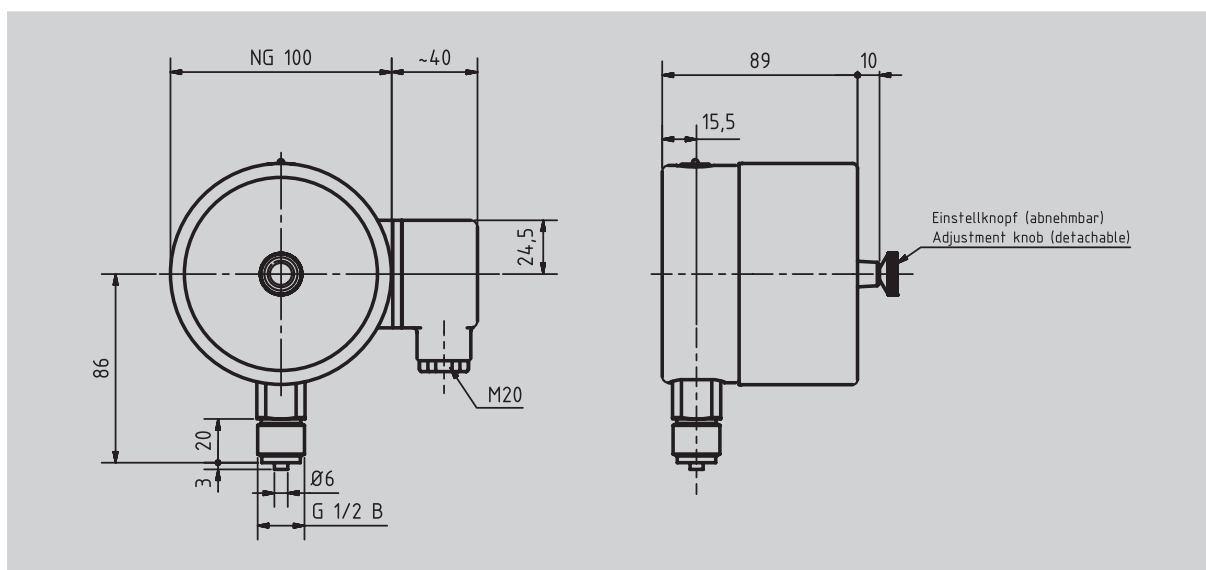
other Process Connections (e.g. NPT-threads)

Elektrischer Anschluss: M12 Steckverbinder

Special Measuring Ranges; Scales in all common units (e.g. kPa, psi etc.); Special Materials; kundenspezifische Aus-

Dimensions

Anschluss G 1/2 B bottom NG100



Order Codes

Overview with most common options

Order Code Structure	P 5 2 5 3 D - e - f B h i	
a / Wetted Parts	Stainless Steel 1.4571 / 1.4404	2
a / Wetted Parts	Stainless Steel 1.4571 / 1.4404; cleaned for O2-Service	5
b / Nominal Size	NG 100	5
b / Nominal Size	NG 160	6
c / Enclosure Type	Stainless Steel 1.4301	3
d / Window	Plastics mit Schalterpunktstellung	D
e / Pressure Range	-1...0 bar (nicht mit Magnetspringkontakt)	006
e / Pressure Range	0 - 1 bar (nicht mit Magnetspringkontakt)	020
e / Pressure Range	0 - 1,6 bar (nicht mit Magnetspringkontakt)	022
e / Pressure Range	0 - 2,5 bar	023
e / Pressure Range	0 - 4 bar	024
e / Pressure Range	0 - 6 bar	025
e / Pressure Range	0 - 10 bar	026
e / Pressure Range	0 - 16 bar	027
e / Pressure Range	0 - 25 bar	028
e / Pressure Range	0 - 40 bar	029
e / Pressure Range	0 - 60 bar	030
e / Pressure Range	0 - 100 bar	031
e / Pressure Range	0 - 160 bar	032
e / Pressure Range	0 - 250 bar	033
e / Pressure Range	0 - 400 bar	035
f / Filling/Damping	without	A
f / Filling/Damping	Silikonöl	E
g / Accuracy	Class 1,0	B
h / Process Connection	G 1/2 B bottom, Stainless Steel	D
h / Process Connection	G 1/2 B back, Stainless Steel	K
h / Process Connection	G 1/4 B bottom, Stainless Steel	B
h / Process Connection	G 1/4 B back, Stainless Steel	I
h / Process Connection	1/2" NPT male, bottom, Stainless Steel	1
h / Process Connection	1/2" NPT male, back, Stainless Steel	2
h / Process Connection	M20x1,5 bottom, Stainless Steel	4
h / Process Connection	M20x1,5 bottom, Brass	3
i / Kontakteinrichtung	1x Magnetspringkontakt steigend Schließer	K
i / Kontakteinrichtung	1x Magnetspringkontakt steigend Öffner	L
i / Kontakteinrichtung	2x Magnetspringkontakt steigend - 1x Schließer; 1x Öffner	M
i / Kontakteinrichtung	2x Magnetspringkontakt steigend - 1x Öffner; 1x Schließer	N
i / Kontakteinrichtung	2x Magnetspringkontakt steigend - 2x Schließer	BO
i / Kontakteinrichtung	2x Magnetspringkontakt steigend - 2x Öffner	BP
i / Kontakteinrichtung	1x Induktivkontakt steigend Schließer	Q
i / Kontakteinrichtung	1x Induktivkontakt steigend Öffner	BQ
i / Kontakteinrichtung	2x Induktivkontakt steigend - 1x Schließer; 1x Öffner	BR
i / Kontakteinrichtung	2x Induktivkontakt steigend - 1x Öffner; 1x Schließer	BS
i / Kontakteinrichtung	2x Induktivkontakt steigend - 2x Schließer	R
i / Kontakteinrichtung	2x Induktivkontakt steigend - 2x Öffner	BT

Example Order Code

Order Code Structure	P 5 2 5 3 D - e - f B h i	
Order Code	P5253D-031-ABDBR	
ID for P1K		P5
a / Wetted Parts	Stainless Steel 1.4571 / 1.4404	2
b / Nominal Size	NG 100	5
c / Enclosure Type	Stainless Steel 1.4301	3
d / Window	Plastics mit Schaltpunkteinstellung	D
-	Dash	-
e / Pressure Range	0 - 100 bar	031
-	Dash	-
f / Filling/Damping	without	A
g / Accuracy	Class 1,0	B
h / Process Connection	G 1/2 B bottom, Stainless Steel	D
i / Kontakteinrichtung	2x Induktivkontakt steigend - 1x Schließer; 1x Öffner	A

PINTER Mess- und Regeltechnik GmbH
Kraichgaublick 17
Technologiepark Neckartal-Odenwald
74847 Obrigheim, Germany

Phone +49-6262-92670-0
Fax +49-6262-92670-99
E-Mail info@pinter-gmbh.de
Internet www.pinter-gmbh.com